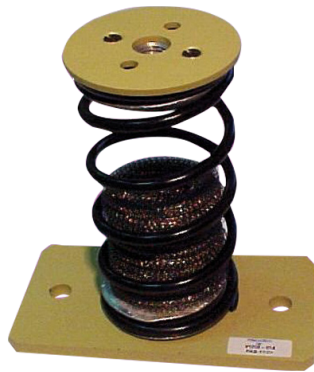


# V1209



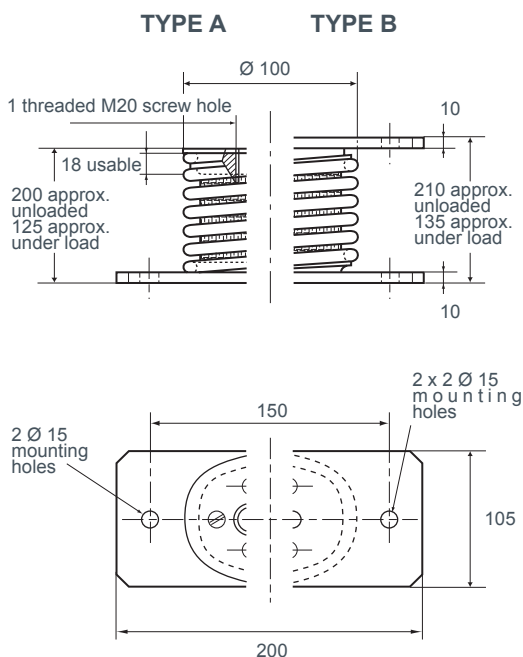
## DESCRIPTION

Part of a series of very low frequency isolators working in compression only, giving very efficient isolation for rotating machines running at 250 rpm and above.

## APPLICATIONS

Rotating machinery, hoppers and sensitive equipment with or without the use of inertia blocks.

## OPERATING CHARACTERISTICS



- Maximum permitted excitation at natural frequency of suspension :  $\pm 3$  mm.
- Natural frequencies for this amplitude :
  - axial : 1,8 to 2,2 Hz depending on load
  - radial : 3 to 3,5 Hz depending on load
- Amplification factor at resonance :  $< 5$ .
- Structural strength corresponds to continuous acceleration of 2 g with maximum load.
- Operating temperature :  $- 70^{\circ}\text{C}$  to  $+ 300^{\circ}\text{C}$ .

With lower mounting plate	With lower and upper mounting plate	Static axial load (daN)
V1209-01A	V1209-01B	60 - 95
V1209-03A	V1209-03B	95 - 150
V1209-05A	V1209-05B	150 - 230
V1209-07A	V1209-07B	210 - 330
V1209-09A	V1209-09B	300 - 460