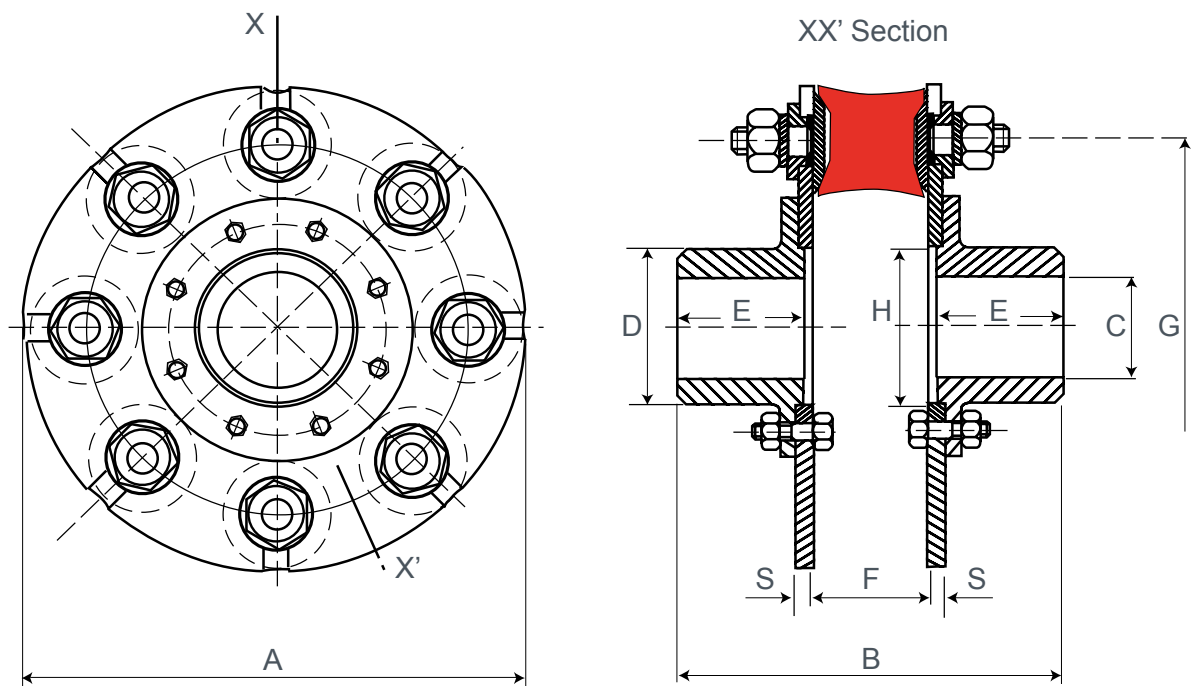


SPARE PARTS

RADIAFLEX® COUPLING



| Coupling Reference | Nominal torque (N.m) | Max speed (rpm) | Hole size C (mm) | | A (mm) | B (mm) | D (mm) | E (mm) | Flexible stud | | F (mm) | G (mm) | H (mm) | S (mm) |
|--------------------|----------------------|-----------------|------------------|-----|--------|--------|--------|--------|---------------|-----|--------|--------|--------|--------|
| | | | min | max | | | | | Reference | Qty | | | | |
| | | | | | | | | | | | | | | |
| 610503 | 0,8 | 4 000 | 5 | 10 | 45 | 40 | 20 | 15 | 521128 | 3 | 15 | 33 | - | 3 |
| 610406 | 10 | 4 000 | 0 | 26 | 80 | 59 | 40 | 20 | 521201 | 6 | 19 | 60 | - | 5 |
| 611113 | 30 | 3 000 | 0 | 38 | 172 | 120 | 73 | 38 | 521571 | 3 | 44 | 114 | 50 | 4 |
| 611213 | 50 | 3 000 | 0 | 38 | 172 | 120 | 73 | 38 | 521572 | 3 | 44 | 114 | 50 | 4 |
| 611116 | 80 | 3 000 | 18 | 48 | 187 | 138 | 69 | 46 | 521571 | 6 | 44 | 130 | 70 | 4 |
| 611216 | 120 | 3 000 | 18 | 48 | 187 | 138 | 69 | 46 | 521572 | 6 | 44 | 130 | 70 | 4 |
| 611108 | 160 | 3 000 | 18 | 60 | 248 | 166 | 90 | 60 | 521571 | 8 | 44 | 190 | 85 | 4 |
| 611208 | 220 | 2 500 | 18 | 60 | 248 | 166 | 90 | 60 | 521572 | 8 | 44 | 190 | 85 | 4 |
| 611408 | 300 | 2 000 | 18 | 60 | 240 | 190 | 90 | 60 | 521602 | 8 | 60 | 180 | 85 | 8 |
| 611412 | 550 | 1 500 | 23 | 80 | 300 | 240 | 115 | 85 | 521602 | 12 | 60 | 236 | 115 | 8 |
| 611416 | 1 050 | 1 500 | 28 | 100 | 395 | 275 | 145 | 102,5 | 621602 | 16 | 60 | 330 | 145 | 8 |
| 611512 | 1 460 | 1 500 | 28 | 120 | 430 | 356 | 177 | 136 | 521801 | 12 | 70 | 340 | 178 | 10 |
| 611612 | 2 320 | 1 500 | 28 | 120 | 475 | 366 | 177 | 136 | 521951 | 12 | 76 | 380 | 178 | 12 |

1 N.m ≈ 0,1 mkg