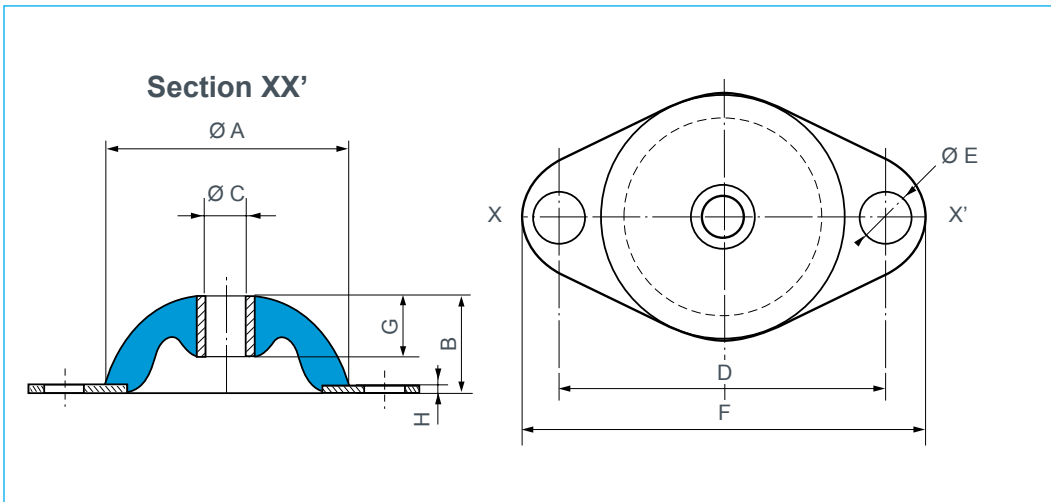




# POLYFLEX

Natural frequency : (1)  
9 to 20 Hz



## DIMENSIONS

Reference	Ø A (mm)	B (mm)	Ø C (mm)	D (mm)	Ø E (mm)	F (mm)	G (mm)	H (mm)
<b>532300</b>	30	16	6	40	6,1	50	8	1,5
<b>532500</b>	50	20	8	66	8,2	82	13	2
532563	55	23	10,1	90	8,2	106	15	3
<b>532561</b>	60	25	12,2	76	8,5	95	20	4
<b>532750</b>	75	30	12,2	95	11,0	118	25	6

See current price list for availability of items.

## OPERATING CHARACTERISTICS

Nominal static load (daN)	Deflection (mm)	Reference	Hardness
1-5	3	<b>532300</b>	45
1-7	2	<b>532300</b>	60
2-8	1	<b>532300</b>	75
2-10	4	<b>532500</b>	45
3-15	3	<b>532500</b>	60
4-18	5	532563	45
5-20	2,5	<b>532500</b>	75
7-30	3	<b>532561</b>	45

Nominal static load (daN)	Deflection (mm)	Reference	Hardness
7-30	5	532563	60
10-40	2	<b>532561</b>	60
10-50	1,5	<b>532561</b>	75
10-50	4	<b>532750</b>	45
15-60	5,5	532563	75
15-65	3	<b>532750</b>	60
20-80	1,5	<b>532750</b>	75

1) the indicated natural frequency, are valid for the maxi loads of the ranges of use quoted in the paragraph : TECHNICAL CHARACTERISTICS.