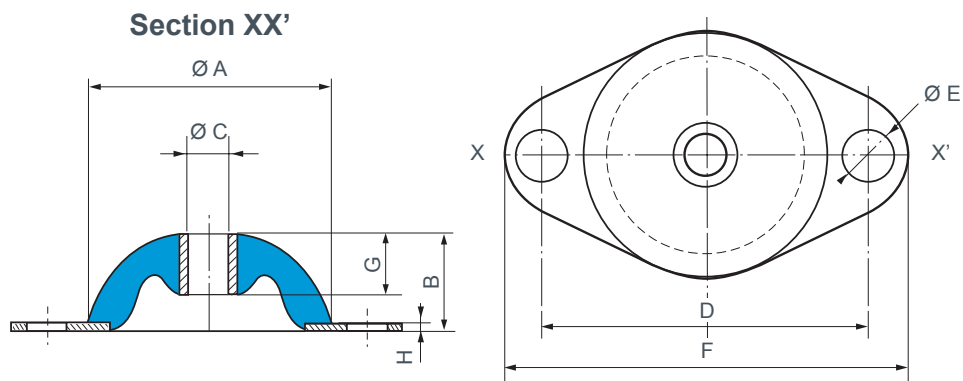


POLYFLEX

Natural frequency : (1)
9 to 20 Hz



DIMENSIONS

Reference	Ø A (mm)	B (mm)	Ø C (mm)	D (mm)	Ø E (mm)	F (mm)	G (mm)	H (mm)
532300	30	16	6	40	6,1	50	8	1,5
532500	50	20	8	66	8,2	82	13	2
532563	55	23	10,1	90	8,2	106	15	3
532561	60	25	12,2	76	8,5	95	20	4
532750	75	30	12,2	95	11,0	118	25	6

See current price list for availability of items.

OPERATING CHARACTERISTICS

Reference	Hardness	Deflection (mm)	Nominal static load (daN)
532300	45	3	1-5
532300	60	2	1-7
532300	75	1	2-8
532500	45	4	2-10
532500	60	3	3-15
532563	45	5	4-18
532500	75	2,5	5-20
532561	45	3	7-30

Reference	Hardness	Deflection (mm)	Nominal static load (daN)
532563	60	5	7-30
532561	60	2	10-40
532561	75	1,5	10-50
532750	45	4	10-50
532563	75	5,5	15-60
532750	60	3	15-65
532750	75	1,5	20-80

1) the indicated natural frequency, are valid for the maxi loads of the ranges of use quoted in the paragraph : TECHNICAL CHARACTERISTICS.