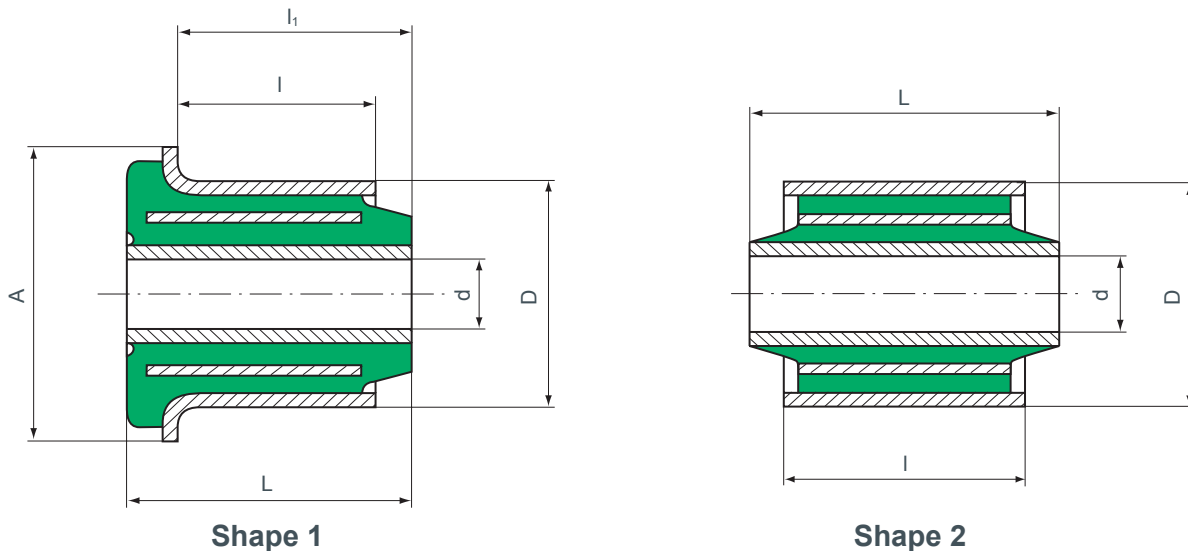


LAMINATED BUSHES



DIMENSIONS

d (mm)	D (mm)	A (mm)	L (mm)	l (mm)	l ₁ (mm)	Shape	Reference
12	34	-	48	30	-	2	560033
14	35	-	58,3	43	-	2	561040
14	40	55	27,4	16,3	17	1	531427
16	40	-	46	32	-	2	560062
20	38	-	60	59	-	2	579071

TECHNICAL CHARACTERISTICS

Reference	Maximum Radial Load		Axial static load (daN)	Torsion	
	Static (daN)	Dynamic (daN)		Max Angle	Approx. torque N.m.
531427*	400	-	130	20°	80
560062	900	-	40	15°	20
560033	750	-	40	20°	10
561040	850	-	50	20°	50
579071	10 500	15 000	-	6°	54

* The axial load is measured on the side of the lateral stop.

1 kg ≈ 1 daN