

# VIB LD 03

## DECOUPLING WASHERS



### DESCRIPTION

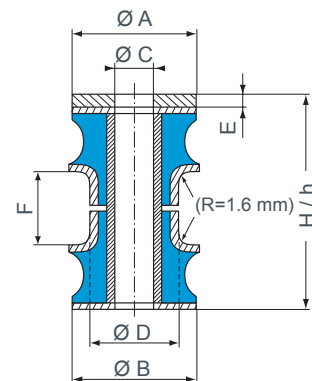
Elastomer rings for linking and positioning of equipment while maintaining acoustic discretion and protection from shocks.

A decoupling washer is composed of :

- Two bonded elastomer washers;
- One stainless steel anti-shock washer;
- One stainless steel preload spacer.

### CHARACTERISTICS

- Natural frequencies (vertical and axial) 15 to 20 Hz depending on load.
- Maximum deflection under shock:
  - axial : 8 mm;
  - radial : 5 mm.
- Mechanical strength corresponding to 30 times the nominal load.



Nominal load (daN)	Reference	Ø A (mm)	Ø B (mm)	Ø C (mm)	Ø D (mm)	E (mm)	F (mm)	H unloaded (mm)	h under load (mm)
14	E1RP-3804-51	Square 28x28	28	8,2	20	2,5	10	42,5	35,5 approx
18	E1RP-3804-52	Square 28x28	28	8,2	20	2,5	10	42,5	35,5 approx
27	E1RP-3805-51	Square 28x28	28	8,2	20	2,5	10	42,5	35,5 approx
40	E1RP-3806-51	42,5	42,5	14,2	29	5	15	50	44 approx
60	E1RP-3806-52	42,5	42,5	14,2	29	5	15	50	44 approx
85	E1RP-3806-53	42,5	42,5	14,2	29	5	15	50	44 approx
125	E1RP-3807-51	56	56	18,2	35	8	15	53	47 approx
140	E1RP-3807-52	56	56	18,2	35	8	15	53	47 approx
185	E1RP-3807-53	56	56	18,2	35	8	15	53	47 approx
260	E1RP-3808-51	78	80	24,5	50	12	25	67	60,5 approx
320	E1RP-3808-52	78	80	24,5	50	12	25	67	60,5 approx
380	E1RP-3808-53	78	80	24,5	50	12	25	67	60,5 approx
520	E1RP-3809-51	88	90	27,5	53	16	25	71	64,5 approx
1000	E1RP-3809-53	88	90	27,5	53	16	25	71	64,5 approx
2000	E4353F-51	220	220	60	125	35	48,9	120,9	112,9 approx
3500	E4353F-52	200	200	60	125	35	48,9	121,9	113,9 approx