

# VIBCABLE

Natural frequency : (1)  
5 to 25 Hz



## DESCRIPTION

This range of mounts has a stainless steel cable wound between light alloy bars. The 8010 to 8060 versions are assembled using stainless steel clips and the 8080 to 8140 models have galvanised steel screws.

There are two or four mounting holes, per bar, smooth, counter sunk or tapped.

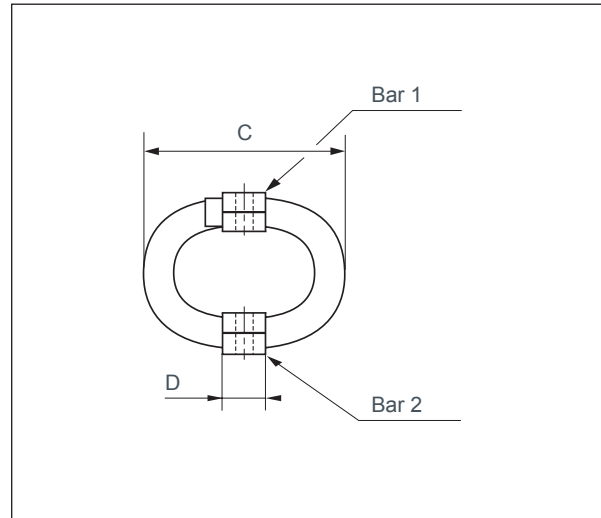
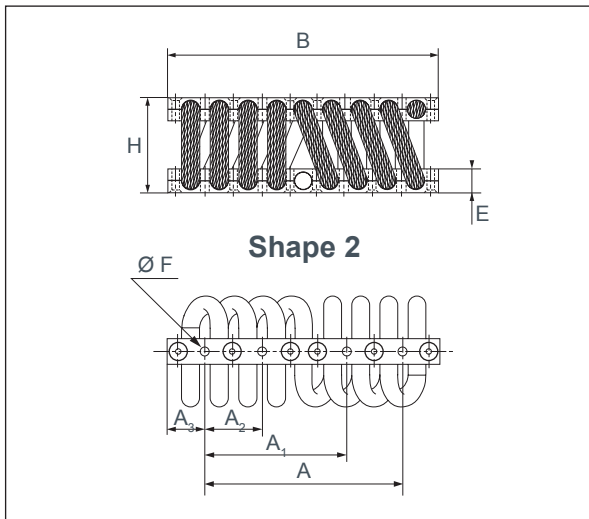
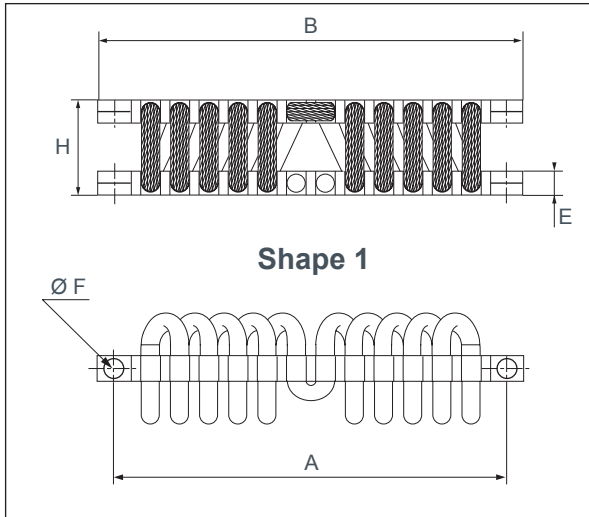
## APPLICATIONS

With a natural frequency between 5 and 25 Hz, damping up to 40% and high deflection in all directions, these dampers can absorb accelerations to equipment subjected to shock or drop.

Protection of equipment in containers, protection of racks and any fragile on board equipment.

(1) Natural frequencies with max/min loads, see : OPERATING CHARACTERISTICS.

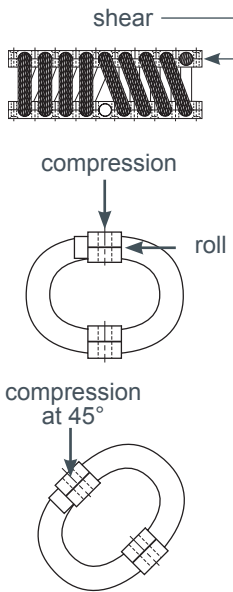
# DIMENSIONS



Reference	Shape	A (mm)	B (mm)	C (mm) depending on version		D (mm)	E (mm)	F (mm) (2 fixing holes)		H (mm) depending on version					
				min.	max.			tapped	threaded	01	02	03	04	05	06
V3CA8010-01 à -06	1	68	82	25	38	10	5	4,8	M4	18	26	20	28	30	33
V3CA8020-01 à -06	1	100	112	29	43	12,5	6	5,8	M5	21	31	35	25	28	38
V3CA8030-01 à -06	1	114	127	37	49	14	8	6,5	M6	28	30	33	36	38	41
V3CA8040-01 à -06	1	114	127	37	44	14	8	6,5	M6	28	33	38	-	-	-
V3CA8060-01 à -06	1	114	127	37	95	14	10	6,5	M6	38	43	87	43	31	34
V3CA8080-01 à -06	2	131	146	57	102	16	13	6,5	M6	48	54	60	64	80	90

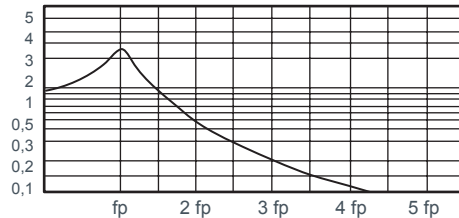
Reference	Shape	A (mm)	A1 (mm)	A2 (mm)	A3 (mm)	B (mm)	C (mm) depending on version		D (mm)	E (mm)	F (mm) (4 fixing holes)		H (mm) depending on version					
							min.	max.			tapped	threaded	01	02	03	04	05	06
V3CA8090-01 à -06	2	155,75	111,25	44,5	30	215,75	80	135	25	16	9	M8	70	74	89	110	68	77
V3CA8100-01 à -06	2	155,75	111,25	44,5	30	215,75	92	150	25	20	9	M8	75	89	95	110	83	108
V3CA8110-01 à -06	2	191	136,5	54,5	38,1	267	102	170	25	25	11	M10	90	95	100	100	110	150
V3CA8120-01 à -04	2	266,5	190,5	76	50,5	370	145	195	40	40	13	M12	135	105	160	160	-	-
V3CA8140-01 à -02	2	378	270	108	70,8	520	224	248	50	50	20	M18	180	218	-	-	-	-

# OPERATING CHARACTERISTICS



Reference	Static load range (daN)																	
	Compression						Compression at 45°						Roll/Shear					
Version	01	02	03	04	05	06	01	02	03	04	05	06	01	02	03	04	05	06
V3CA8010	7	3	5	5	4	4	6	3	4	4	3	3	4	2	3	2	2	2
V3CA8020	11	20	19	15	17	26	8	14	14	11	13	19	6	10	10	7	9	13
V3CA8030	17	18	17	13	11	10	13	13	13	10	8	8	9	9	9	7	6	5
V3CA8040	86	62	40	-	-	-	66	48	31	-	-	-	42	31	20	-	-	-
V3CA8060	63	58	19	53	82	100	46	44	15	40	62	75	32	29	10	27	41	50
V3CA8080	88	62	51	47	25	26	66	47	39	36	19	19	44	31	26	24	13	13
V3CA8090	194	162	120	82	188	134	147	122	91	62	142	101	97	81	60	41	94	67
V3CA8100	439	414	481	215	442	290	330	312	363	162	332	218	220	207	240	108	221	145
V3CA8110	848	682	712	529	486	315	639	532	556	406	366	246	424	342	357	265	243	157
V3CA8120	1 658	1 396	878	651	-	-	1 272	1 055	664	492	-	-	331	698	441	320	-	-
V3CA8140	2 229	2 031	-	-	-	-	1 687	1 527	-	-	-	-	-	-	-	-	-	-

- **Operating temperature**  
- 180 °C to + 300 °C.
- **Electrical resistance**  
with conducting coating < 210° Ω.
- **Environment**  
The material used are unaffected by harsh environments.
- **Vibration transmission coefficient curves**  
For perfectly free system.



The bars can be supplied with smooth, threaded or countersunk holes. Several combinations are possible :

		Bar 1		
		Smooth holes : L	Threaded holes : N	Countersunk holes : F
Bar 2	Smooth holes : L	LL	NL	FL
	Threaded holes : N	LN	NN	FN
	Countersunk holes : F	LF	NF	FF

- **Codification example : V3CA8010-01 LL**