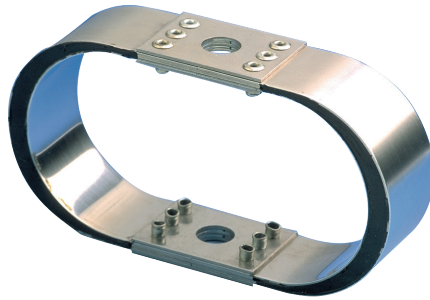


“X” TYPE FLEXIBLE MOUNTS

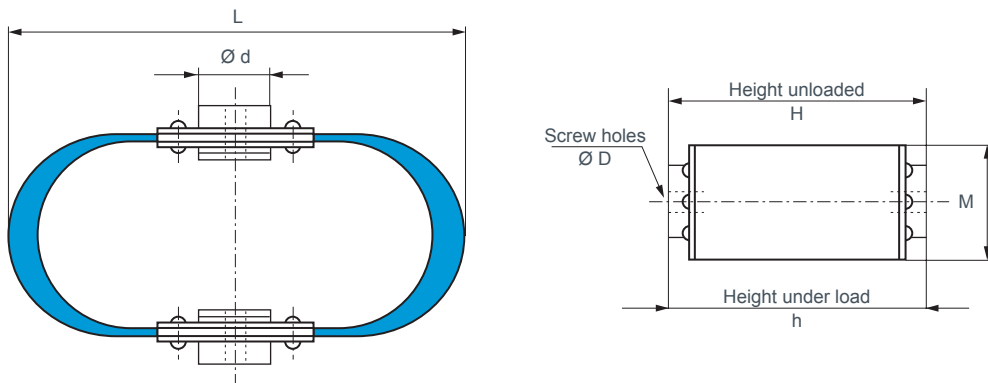
Natural frequency : (1)
4 to 10 Hz



DESCRIPTION

Steel mounting with excellent shock absorption capacity, highly resistant to fatigue. It is made of a stainless steel and epoxy resin sandwich which limits the amplification.

DIMENSIONS



Reference	Nominal load (daN)	H (mm)	h (mm)	L (mm)	M (mm)	Ø d (mm)	Ø D (mm)
E1M-3950-01	10	114,3	106,9	203,2	50,8	31,8	8
E1M-3951-01	20	114,3	106,9	203,2	50,8	31,8	8
E1M-3952-01	45	133,3	123,2	215,9	50,8	31,8	12
E1M-3953-01	70	133,3	123,6	215,9	50,8	31,8	12
E1M-3954-01	110	133,3	124,2	215,9	50,8	31,8	12
E1M-3955-01	180	190,5	185,4	297,2	101,6	63,5	20
E1M-3956-01	320	190,5	183,4	297,2	101,6	63,5	20
E1M-3957-01	450	190,5	184,4	297,2	101,6	63,5	20
E1M-3958-01	450	209,6	199,3	365,0	50,8	34,9	20

1) the indicated natural frequency, are valid for the maxi loads of the ranges of use quoted in the paragraph : TECHNICAL CHARACTERISTICS.