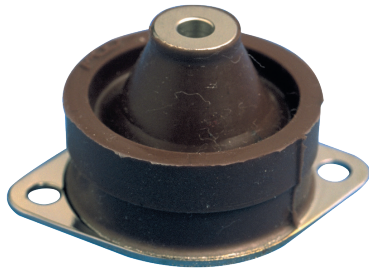


E1E41 E1E42 E1E43

SILICONE RUBBER / SPECIAL ELECTRONICS



Natural frequency : (1)
10 to 25 Hz

DESCRIPTION

- VHDS elastomer able to carry loads under compression.
- Base and centre axis in 18/8 stainless steel.

APPLICATIONS

- Protecting electronic equipment, navigation equipment, instrument panels, measuring instruments, control panels on aircraft, road vehicles and railway trains.

CHARACTERISTICS

Natural frequency :

- axial and radial : 10 to 25 Hz.

Maximum permitted excitation at natural frequency of suspension : ± 0.5 mm.

Amplification factor at resonance < 4 .

Operating temperature : $- 54^{\circ}\text{C}$ to $+ 150^{\circ}\text{C}$.

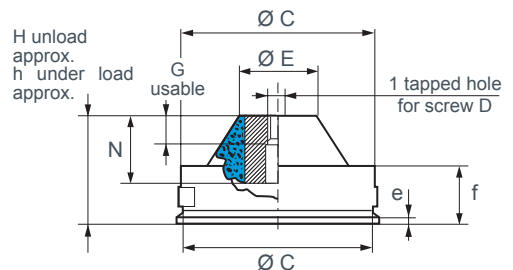
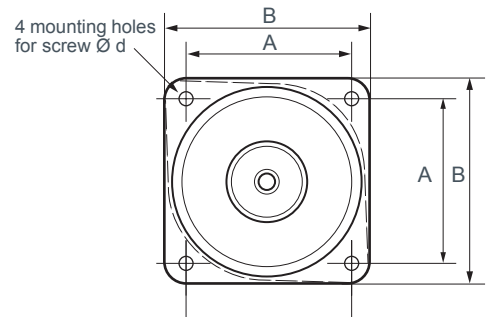
Structural strength corresponds to a continuous acceleration of 10 g at maximum load.

Maximum axial travel available for shocks :

E1E41: 8.8 mm / E1E42, E1E43 : 12 mm.

Weight : E1E41 : 22 g / E1E42 : 60 g / E1E43 : 96 g.

These mounts meet the standard AIR7304 curve ZF.



Reference	Axial static loads (daN)
E1E41S38EB	1,20 - 2,10
① E1E41S63EB	2,20 - 3,80
E1E41S77EB	3,00 - 5,20
E1E42S38EC	1,75 - 3,30
E1E42S63EC	3,20 - 5,90
E1E42S77EC	4,40 - 8,30
E1E43S38ED	3,10 - 5,50
E1E43S63ED	6,00 - 10,80
E1E43S77ED	7,50 - 13,60

① These isolators exist with an oval flange (FB).

Reference	A (mm)	B (mm)	Ø C (mm)	D	Ø E (mm)	G (mm)	H (mm)	N (mm)	Ø d (mm)	e (mm)	f (mm)	h (mm)
E1E41S□□EB	25,4	34	30,5	M4	10	6	23	14,2	4,3	0,8	14	21
E1E42S□□EC	34,9	43	41,5	M5	12	8	33	20	4,3	1,5	18	31
E1E43S□□ED	49,2	60,5	57	M6	21,5	8	33	20	5,3	2	16	31

1) the indicated natural frequency, are valid for the maxi loads of the ranges of use quoted in the paragraph : TECHNICAL CHARACTERISTICS.