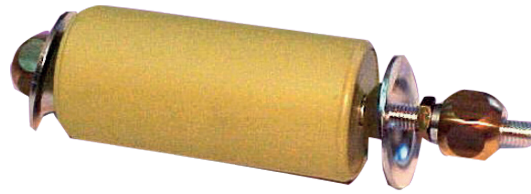


V1N303 V1N304 V1N305 V1N306 V1N308



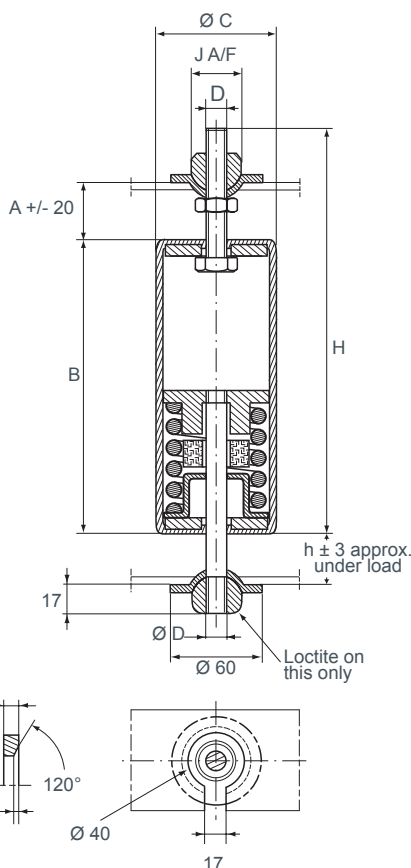
DESCRIPTION

A single acting telescopic anti-vibration manufactured with a helicoil spring and stainless steel woven cushion.
Protection, paint.

APPLICATIONS

Isolation of exhaust stucking and pipework.

OPERATING CHARACTERISTICS



- Maximum permitted excitation at natural frequency of suspension : ± 1 mm.
- Natural frequency for this amplitude :
- axial : 3.5 to 5 Hz depending on load.
- Structural strength corresponds to continuous acceleration of 3 g with maximum load.
- Operating temperature : $- 70^{\circ}\text{C}$ to $+ 150^{\circ}\text{C}$.
- Displacement in all directions : ± 40 mm.
- Adjustment between attachment points : ± 20 mm.

Reference	Static load in traction (daN)	Ø of pipes 3 m long (for information only)
V1N303	45 - 85	150 - 300
V1N304	75 - 140	300 - 500
V1N305	120 - 230	500 - 800
V1N306	200 - 380	800 - 1 000
V1N308	270 - 500	1 000 - 1 200

Reference	A (mm)	B (mm)	Ø C (mm)	D	H (mm)	J (mm)	K (mm)	h (mm)
V1N303	40	135	63	M12	210	30	6	35
V1N304	40	155	63	M12	230	30	6	35
V1N305	45	175	82	M16	257	30	8	40
V1N306	45	200	82	M16	282	30	8	40
V1N308	45	220	82	M16	302	30	8	40