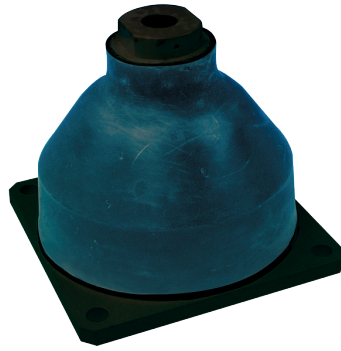


# VIB VHD 75

## HIGH DEFLECTION MOUNTINGS

HIGH LOADS



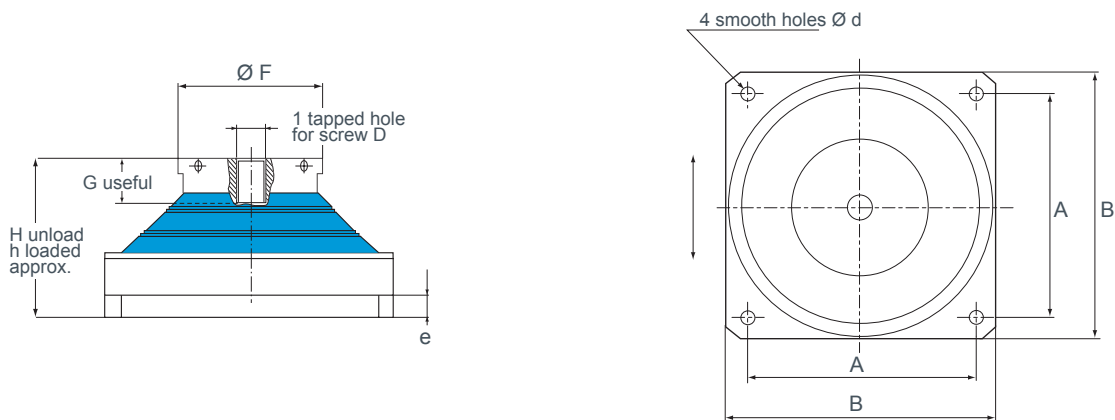
## DESCRIPTION

Elastomer isolators designed for acoustic isolation and shock protection.

## CHARACTERISTICS

- Natural frequency (vertical and lateral) under nominal load : 4 to 5.5 Hz.
- Maximum displacement under shock: 75 mm\* all in directions.

\* maximum forces corresponding to 15 times the nominal load



Nominal load (daN)	Reference	D	Ø F (mm)	G lenght useful (mm)	e (mm)	H unloaded (mm)	h under load (mm)	A (mm)	B (mm)	Ø d screw hole (mm)
120	E1N-3392-50	M30	92	45	15	211	197 approx.	200	236	18
200	E1N-3392-59	M30	92	45	15	211	197 approx.	200	236	18
250	E1N-3392-58	M30	108	45	15	211	197 approx.	234	270	18
380	E1N-3392-57	M30	112	45	15	211	197 approx.	234	270	18
630	E1N-3392-56	M56	199	84	40	255	238 approx.	360	446,5	30
900	E1N-3392-55	M56	199	84	40	255	238 approx.	360	446,5	30
1200	E1N-3392-54	M56	240	84	40	255	238 approx.	360	446,5	30
2000	E1N-3392-53	M56	240	84	40	255	238 approx.	360	446,5	30
3000	E1N-3392-52	M56	240	84	40	255	238 approx.	360	446,5	30
4000	E1N-3392-51	M56	280	84	40	305	289 approx.	460	546,5	30