

# SP539-882 SP539-883 SP539-887 SP539-888

Natural frequency : (1)  
10 to 16 Hz



## DESCRIPTION

All metal mount comprising a stack of between two and three woven steel cushions giving a variation in natural frequency depending upon the number of cushions. This make higher levels of isolation possible.

The stainless steel cushions in conical shape are capable of carrying radial loads.

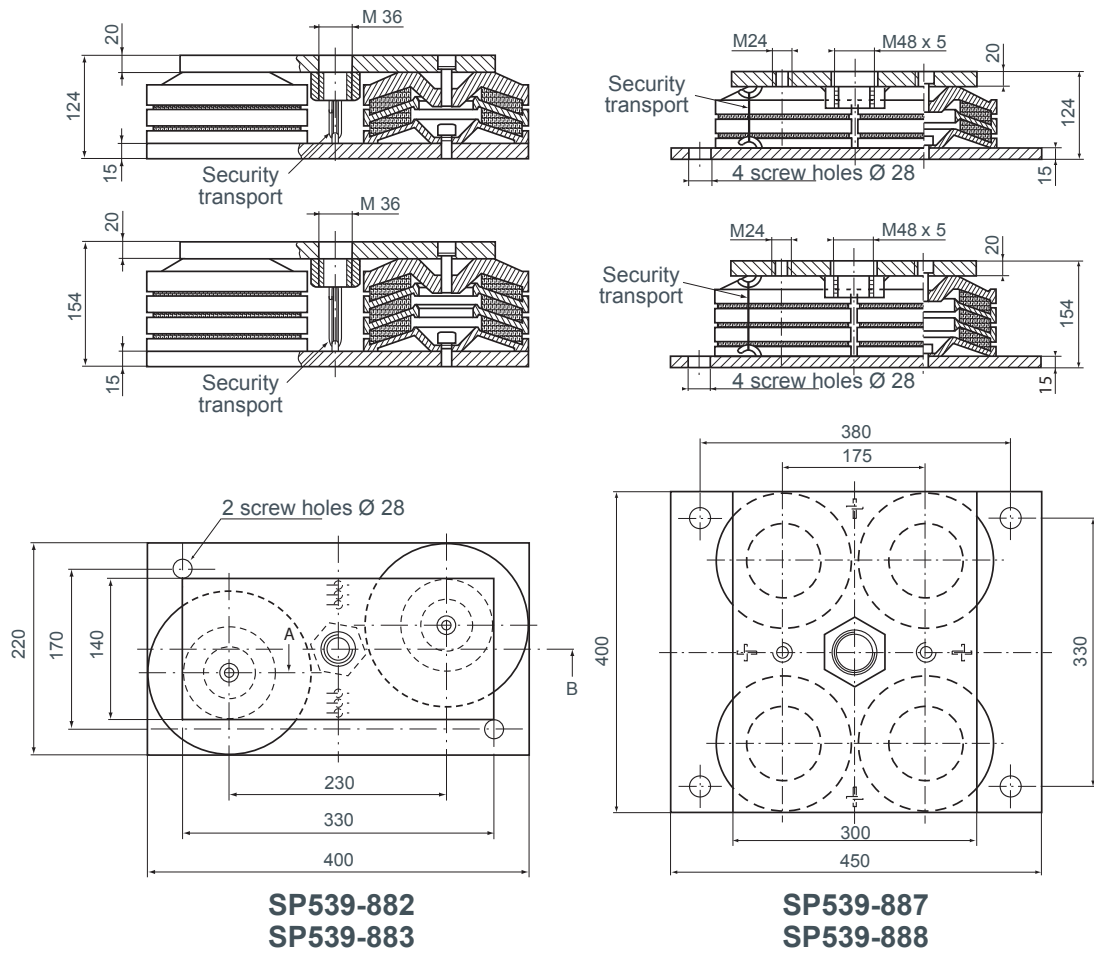
This mount ensures good stability of the suspended equipment.

## APPLICATIONS

- Metal cutting or metal forming machines (presses, punches, ...).
- Heavy rotating machines.n Machines tournantes fortes charges.

(1) Natural frequencies with max/min loads, see : OPERATING CHARACTERISTICS.

# DIMENSIONS



# OPERATING CHARACTERISTICS

Reference	Height (mm)	Load range (daN)	Natural frequency (Hz)	Weight of mounting (kg)
SP539-882	124	500 to	12 to 16	37
SP539-883	154	14 000	10 to 13	41
SP539-887	124	1 000 to	12 to 16	70
SP539-888	154	28 000	10 to 13	82