

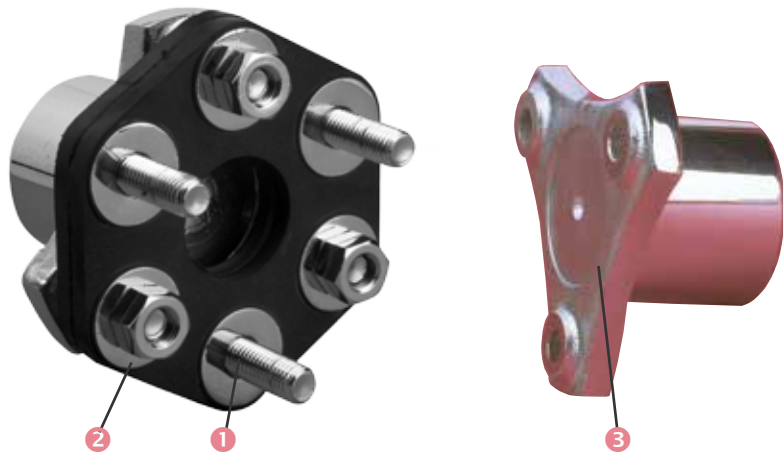
STRAFLEX®

* Torsional flexibility

* Radial flexibility

** Axial flexibility

** Conical flexibility



DESCRIPTION

- Flexible element
 - ① Metallic bobbins linked together by rayon fibres.
 - ② The whole unit ① is potted in natural rubber and is hexagonal.
- Flange
 - ③ forged steel.

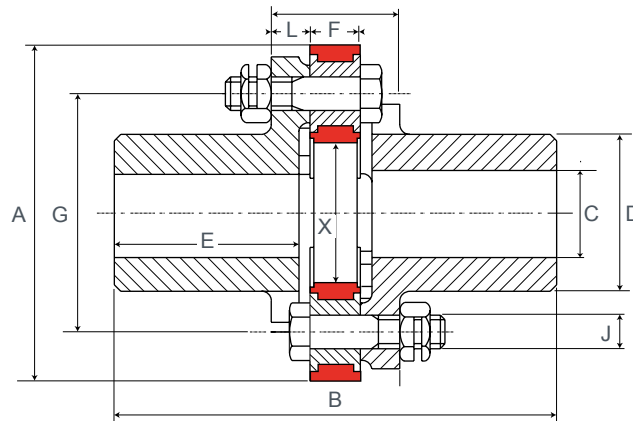
OPERATION

- The STRAFLEX® coupling is designed with the following features :
- radial disassembly without moving the machines that are coupled;
 - reduced size;
 - used at relatively high rotational speeds.

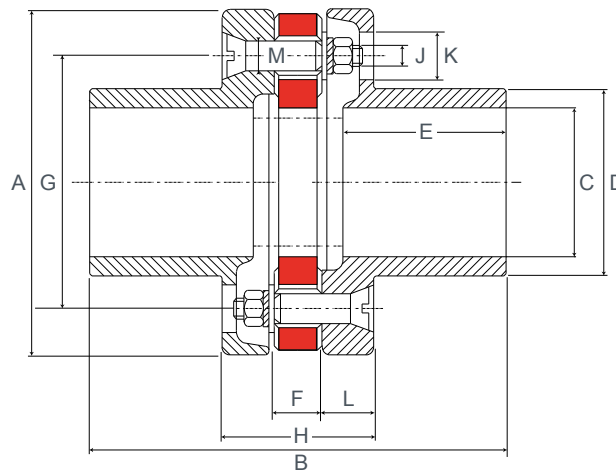
Recommendation

- The reinforced textile structure means that it has a low tolerance to irregularities in the torque.

DIMENSIONS



Assembly of models ref. 635301, 635302, 635303, 635304



Flanges supplied unbored

Assembly of models ref. 635105, 635106, 635107: screws with countersunk heads

Warning : the coupling ref. 635100 is equipped with melted studs instead of the standard bolts. It's assembly is done simply by pushing the elements on the flanges.

Ref.	Nominal torque (N.m)	Max torque (N.m)	Max speed (rpm)	Hole size C (mm)		A (mm)	B (mm)	D (mm)	E (mm)	F (mm)	G (mm)	H (mm)	J (mm)	K (mm)	L (mm)	M (mm)	X* (mm)	Weight (kg)
				min	max													
635100	50	100	6 000	-	30	78	80	43	32	12	50	32	-	-	8	7,8	20	1,3
635301	100	200	5 500	-	30	94	115	42	40	15	65	37	10	-	11	-	28	1,6
635302	200	400	5 000	-	40	120	158	56	66	18	85	46	12	-	14	-	40	3
635303	400	800	4 500	-	48	140	171	68	70	21	100	55	14	-	17	-	44	5,5
635304	800	1 600	3 500	-	60	178	222	90	93	26	132	68	16	-	21	-	66	12
635105	1 600	3 200	2 800	-	100	232	280	126	110	32	170	102	14	32	35	20	86	36
635106	3 200	6 400	2 400	-	110	268	340	142	123	42	190	130	16	37	44	24	94	50
635107	6 000	12 000	2 000	-	145	330	424	184	160	48	240	136	16	37	44	24	120	97

1 N.m ≈ 0,1 mkg

Please see current price list for availability of items.

The maximum torque is considered to be an infrequent start-up torque and is not periodic.

PARTS LIST

Coupling Reference	Flexible element		Flange	
	Reference	Qty	Reference	Qty
635100	635631	1	331100	2
635105	635636	1	321826	2
635106	635637	1	331106	2
635107	635619	1	331107	2

Coupling Reference	Flexible element		Flange	
	Reference	Qty	Reference	Qty
635301	635632	1	321315	2
635302	635633	1	321325	2
635303	635634	1	321335	2
635304	635635	1	321345	2