

# E1E931S

# E1E4045

SILICONE RUBBER / SPECIAL ELECTRONICS /  
LOW LOADS

Natural frequency : (1)  
15 to 25 Hz



## DESCRIPTION

- High damped silicon elastomer (VHDS).
- Stainless Steel flange and centre axis.

## APPLICATIONS

- Protection of electronic equipment, navigation equipment, control consoles, measuring instruments, onboard aircraft, trains and trucks.

## CHARACTERISTICS

Natural frequency :

- axial : 15 to 25 Hz;
- radial : 10 to 20 Hz.

Maximum sinusoidal input amplitude at resonance frequency :  $\pm 0,4$  mm.

Amplification factor at resonance < 4.

Operating temperature range : - 54 °C to + 150 °C.

Mechanical strength corresponding to a continuous acceleration of 10 g at maximum load.

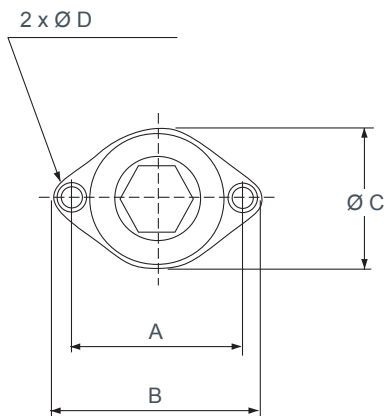
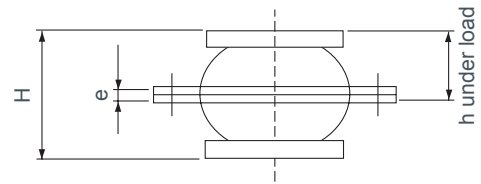
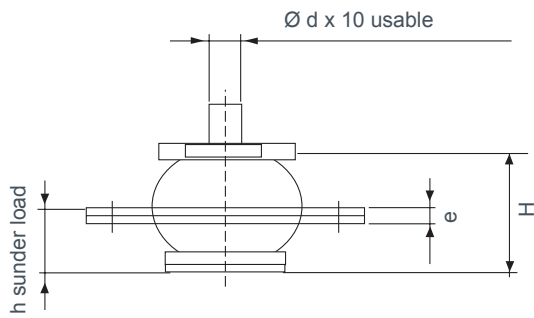
Maximum axial displacement during shock : 3 mm

Weight : E1E931S : 31 g.

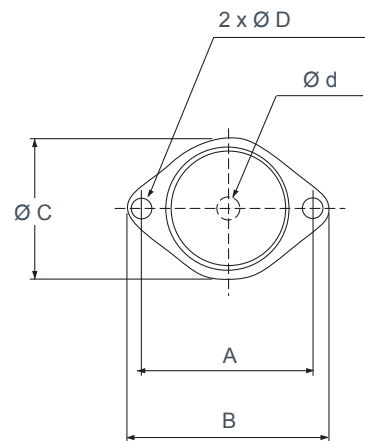
Part number	Axial static load (daN)
E1E931S38 E1E4045-38	0,8 - 2
E1E931S55 E1E-4045-55	1 - 2,5
E1E931S72 E1E-4045-72	1,5 - 4

1) the indicated natural frequency, are valid for the maxi loads of the ranges of use quoted in the paragraph : TECHNICAL CHARACTERISTICS.

# DIMENSIONS CHARACTERISTICS



**E1E931S**



**E1E4045**

Reference	A (mm)	B (mm)	$\varnothing C$ (mm)	$\varnothing D$ (mm)	H (mm)	$\varnothing d$ (mm)	e (mm)	h (mm)
E1E931S □□	34,9	44	30	4,2	24,5	M5	2,5	12,5
E1E4045-□□	35,9	44	30	4,2	20	5,1	2	11